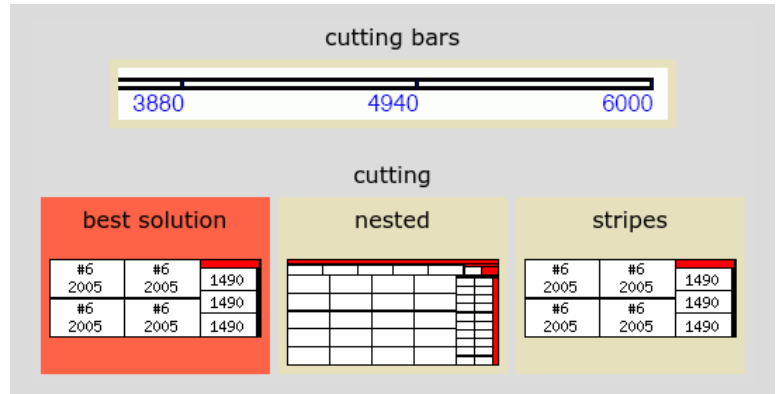




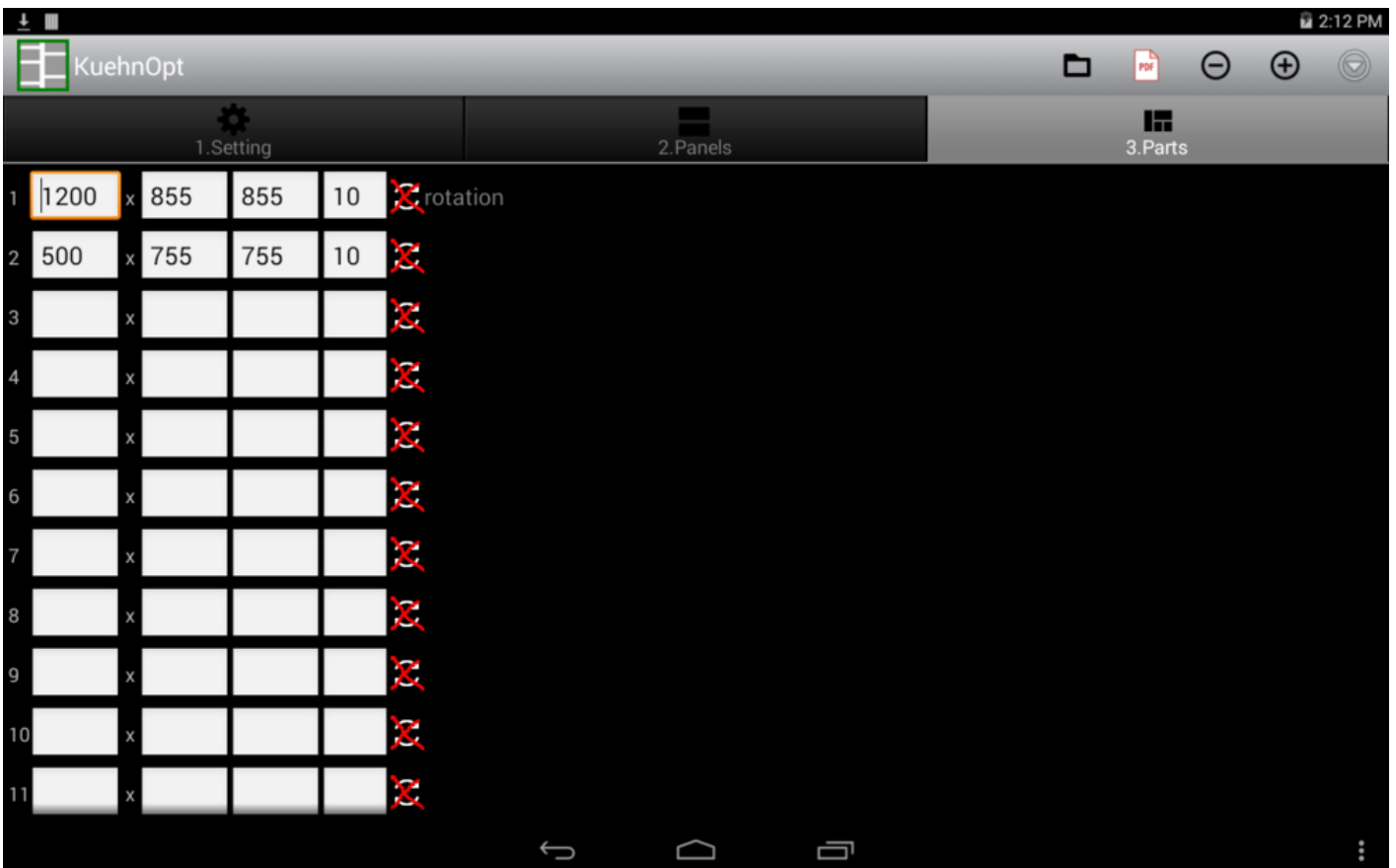
- ▶ Save time, material and money
- ▶ 2D panel optimization
- ▶ 1D bar optimization
- ▶ Circle optimization
- ▶ Detailed cutting layout
- ▶ Android® 4.x / 5.x for tablet / phone
- ▶ The Tablet can be mounted at the machine / saw as terminal



## 2D cutting optimization

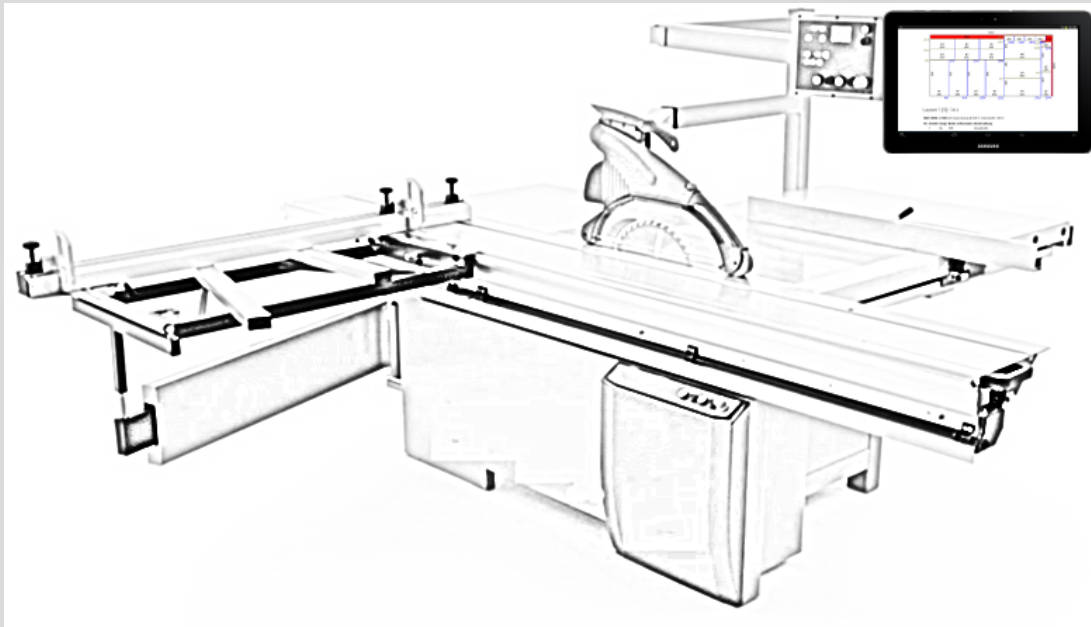
- ▶ Simple wizard style input
- ▶ Handle several materials
- ▶ Shows rest/offcut
- ▶ Shows dimensioning of parts and cuts

- ▶ Zoom functions
- ▶ Adjustable nesting depth
- ▶ Lists produced panels and parts
- ▶ Lists not produced parts, if there are not enough panels



- ▶ Manage projects and orders
- ▶ Optimization runs in background
- ▶ Multi language
- ▶ No PC or Mac required
- ▶ Option: KuehnOpt-box server

- ▶ Option: barcode scanner
- ▶ Option: label print incl. edges
- ▶ Supported printer: Brother QL-710, QL-720, QL-1060
- ▶ Add-on service: connect to controls, CNC, PLC
- ▶ Add-on service: fit to your demands



Android tablet mounted at saw

## Prices | Contact us

KuehnOpt Android ®	S	M	XL	XXL
Maximum parts	50	300	600	no limit
Optimization 1D / 2D / circle	▼	▼	▼	▼
Price *)	20 €	49 €	199 €	399 €

\*) Please note that prices may change.  
Electronic delivery only. Free updates for one year.

Dr.-Ing. Thomas Kühn  
Software Engineering Services  
Lüneburger Damm 7  
30625 Hannover  
Germany

**Phone:** ++49 (0) 511 26299914  
**Fax:** ++49 (0) 511 26299929

**Email:** info@kuehn-software.de  
**Internet:** www.kuehn-software.de